

# MINIBLUE<sub>R</sub>



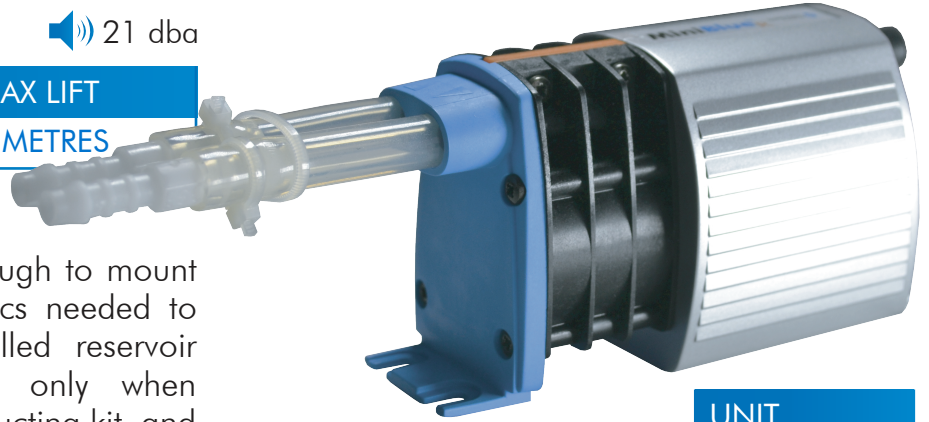
**3** YEAR  
WARRANTY

## PERFORMANCE

21 dba

MAX FLOW	MAX HEAD	MAX LIFT
8 L/ HOUR	8 METRES	5 METRES

The MINIBLUE R<sup>®</sup> has been designed to combine performance, reliability and installation flexibility. Compact enough to mount remotely and incorporate the electronics needed to operate the unique thermistor controlled reservoir sensor, the MINIBLUE R<sup>®</sup> operates only when condensate is present. Supplied with a ducting kit and dedicated elbow kit to secure our fault free reservoir.



**UNIT**  
3.5-8 KW

## SENSING OPTION

MINIBLUE<sup>®</sup> pump available with:

DUCTING KIT	RESERVOIR
X87-507	X87-509
COLOUR: RAL. 9002	



**NO**  
**MAINTENANCE**

No servicing, no maintenance, no replacement parts. Nothing! A true fit and forget condensate pump.



**QUICK**  
**INSTALLATION**

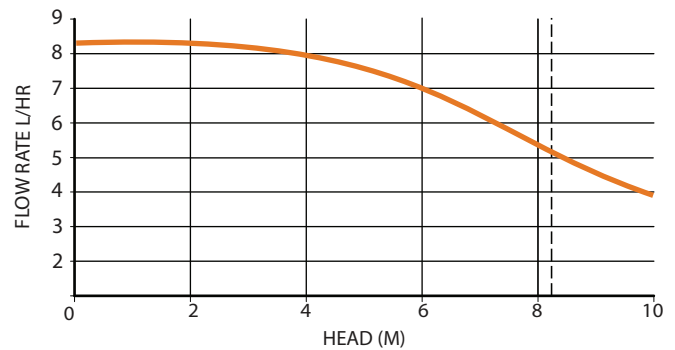
Non modular installation with minimum components when setting up. Fewer components means less time wasted on installation. No siphoning devices or check valves required.

## DISCHARGE PIPE RUN

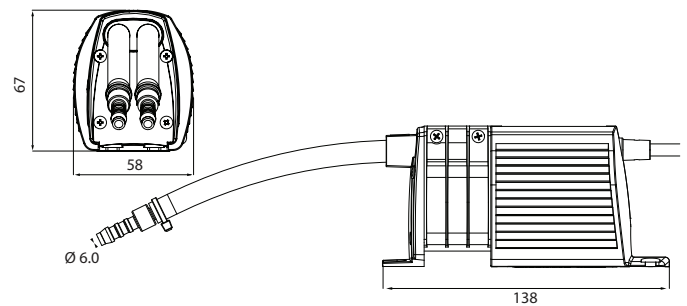


\*8 KW MAX

## PERFORMANCE



## DIMENSIONS (MM)



V (VERTICAL)	H (HORIZONTAL)
8 M	0 M
7 M	3 M
6 M	6 M
5 M	9 M
4 M	12 M
3 M	15 M
2 M	18 M
1 M	21 M

The MINIBLUE<sup>®</sup> R can be mounted in any orientation up to 8m away from the A.C unit.